

Cornerboard®

The perfect edge to protect your product line



- Stronger than laminated paper
- Water-resistant
- Increases stacking strength

Cornerboard®, a blend of recycled paper and plastic, delivers greater strength than conventional paper products. Its innovative design lets you select a thinner gauge without compromising strength or durability, helping to maximize reliability while reducing overall costs.

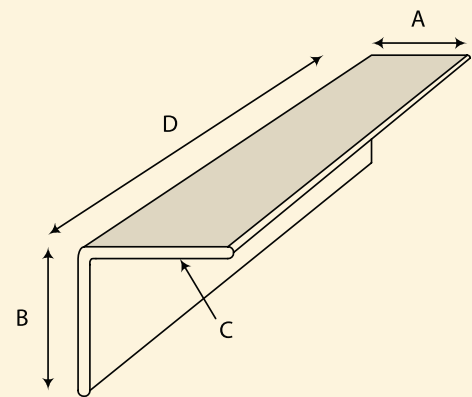
Cornerboard is moisture-resistant, making it ideal for products where condensation is an issue or for outdoor conditions.

Special surface finishes, including moisture and abrasion-resistant coatings, are available for added protection. One and two-color printing are available for branding, product identification and instructional purposes.

100% Recyclable

Angleboard products are made from 100% recycled materials.

©2014 ANGLEBOARD AM-0015 11/14



Specifications

Cornerboard sizes are based on the following dimensions*:

- A Leg length one-**
Available from 1.5-3 inches (38.1 mm - 76.2 mm)
- B Leg length two-**
Available from 1.5-3 inches (38.1 mm - 76.2 mm)
- C Caliper -**
Available from .100 - .250 inches (2.5 mm - 6 mm)
- D Length-**
Available from 6 - 240 inches (152.4 mm - 6096 mm)

*Together, the Cornerboard leg lengths cannot exceed 8 inches (152.4 mm).


Angleboard
We've got all the angles covered.
Phone: 1-800-252-4777 • www.angleboard.com